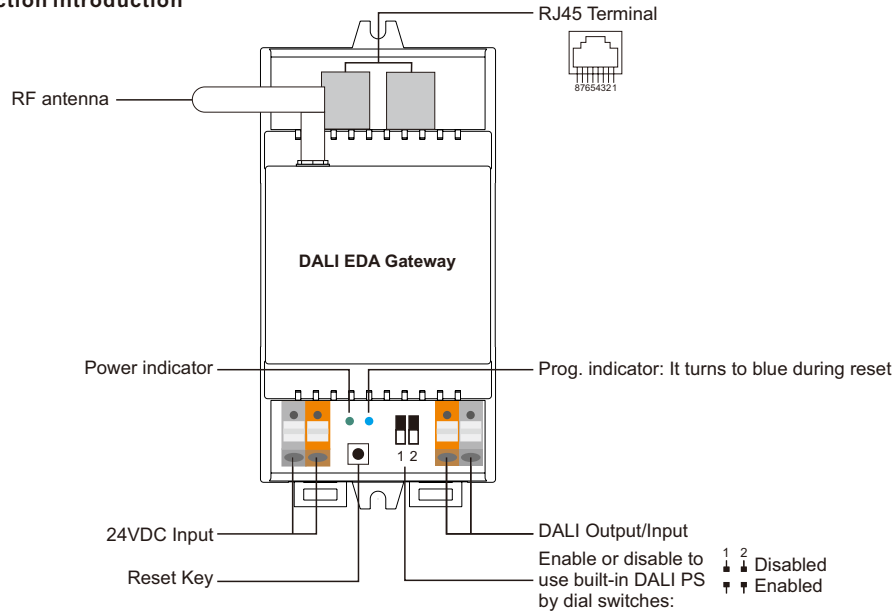


DIN Rail Ethernet (IP) DALI Gateway



Important: Read All Instructions Prior to Installation

Function introduction



Test function:

Short press Reset Key to turn on all lights on the bus, press again to turn off.

Full brightness:

Double press Reset Key to set all lights on the bus to 100% brightness.

Static IP address:

Short press Reset Key 5 times to set the gateway to static IP address: 10.10.10.100

DHCP mode:

Press and hold Reset Key for 5s to set the gateway to DHCP mode

Reset gateway:

Short press Reset Key 5 times then immediately press and hold Reset Key for 5s to reset the gateway to factory settings

Product Data

While built-in DALI PS enabled

Input Voltage	Number of DALI Channel	Output Voltage	Output Current	Size(LxWxH)	Ambient Temperature
24VDC	1	12-22.5VDC	250mA max	110x53x65mm	-20°C ~ +50°C

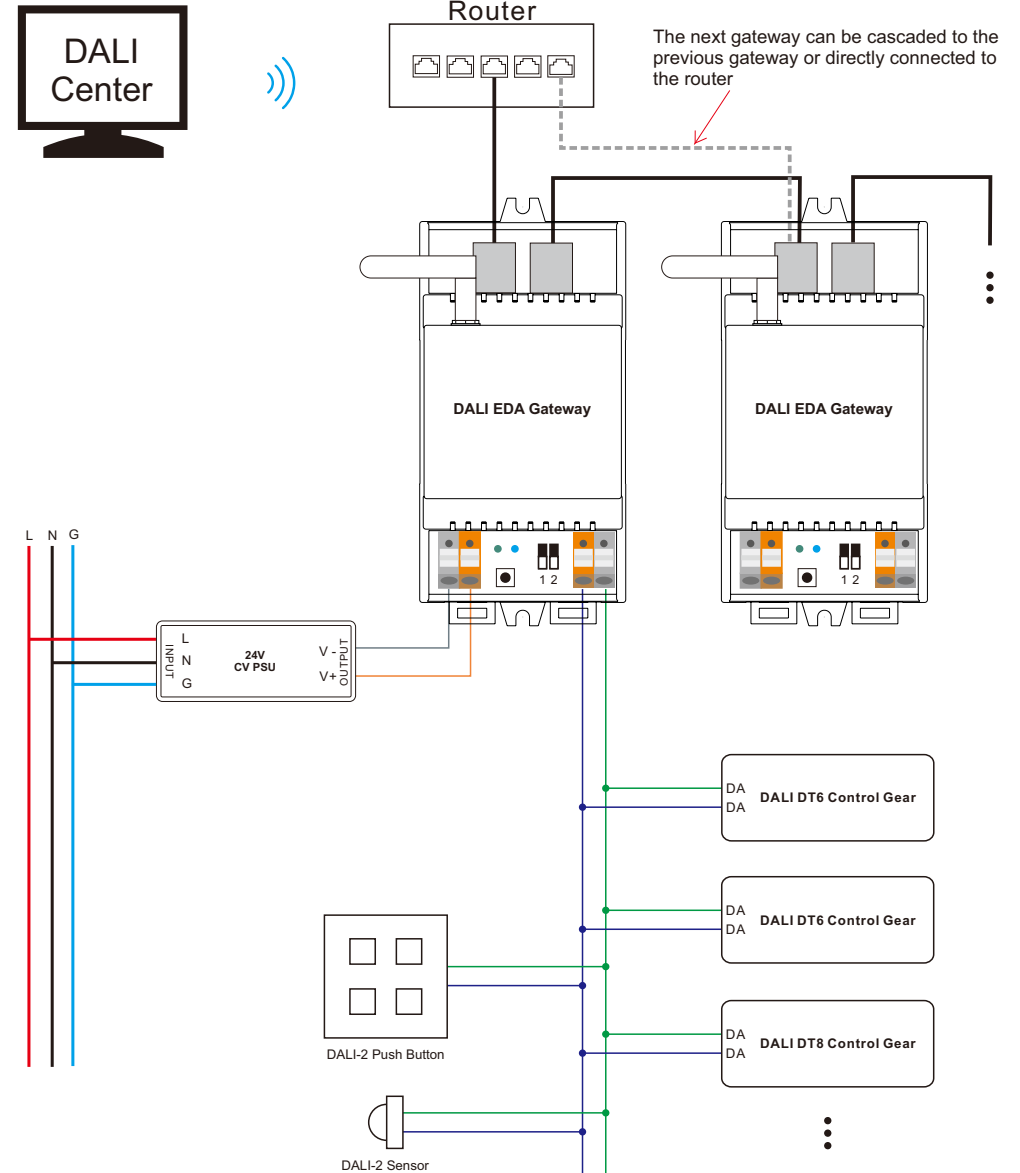
While built-in DALI PS disabled

Input Voltage	Number of DALI Channel	DALI Current Consumption	Size(LxWxH)	Ambient Temperature
24VDC	1	Max. 2mA	110x53x65mm	-20°C ~ +50°C

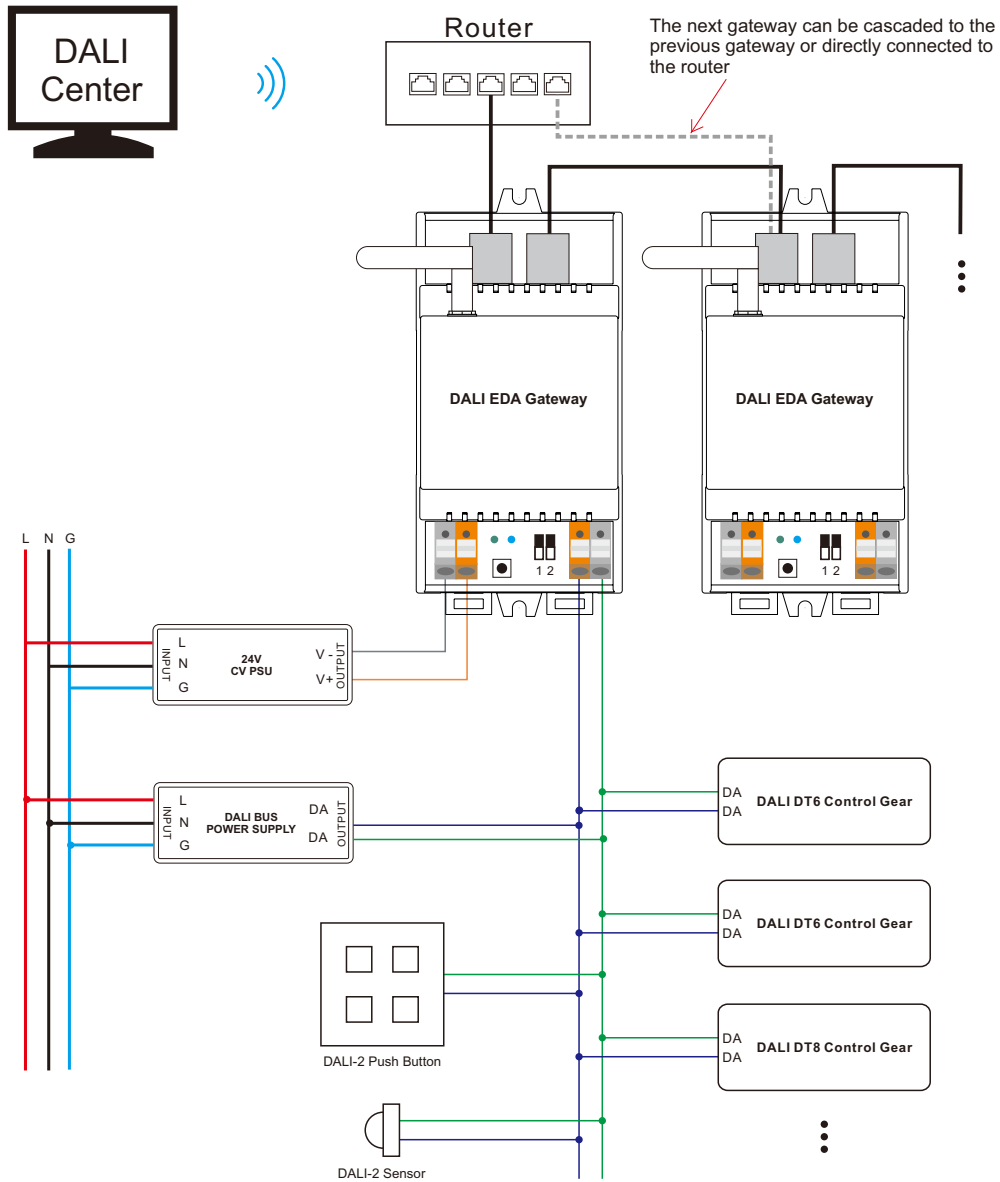
- Supports DT6, DT8 Tc, DT8 XY, DT8 RGBWA device types
- Supports addressing, grouping and scene configuration for max. 64 control gears (DALI-1 and DALI-2)
- Built-in 250mA DALI PS, no extra wiring required
- Easy connect to a network through Ethernet connection
- Easy & quick configuration through DALI Center PC application
- Built-in battery, built-in RTC, supports timer task configuration
- Waterproof grade: IP20
- 5 years warranty

Wiring Diagram

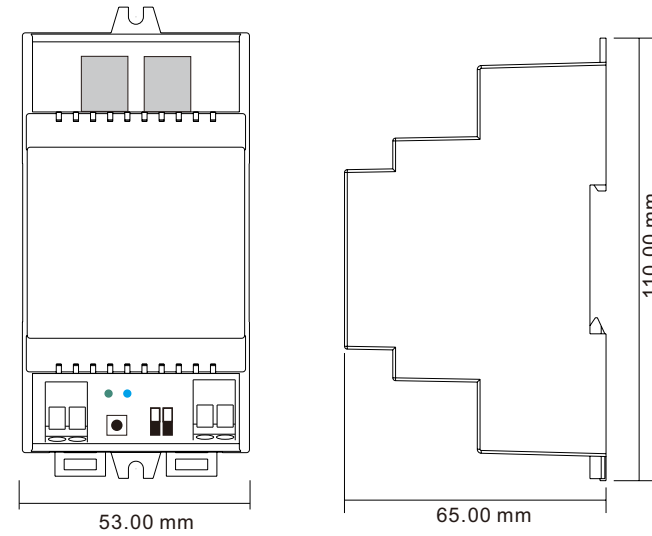
1) While built-in DALI PS enabled



2) While built-in DALI PS disabled



Product Dimension



Tips

1. Working with Universal DALI control gears (Both for DALI-1 and DALI-2)
2. Better performance with SUNRICHER DALI devices

Note: When built-in DALI Bus PS is disabled, the number of following control gears depends on external DALI PS.

Operation

- 1) Do wiring according to the wiring diagram and power on the DALI system.
- 2) Pair the DALI gateway to the network and control it through the DALI Center.